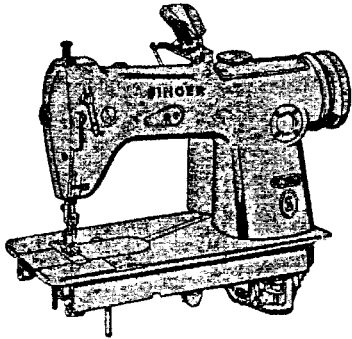


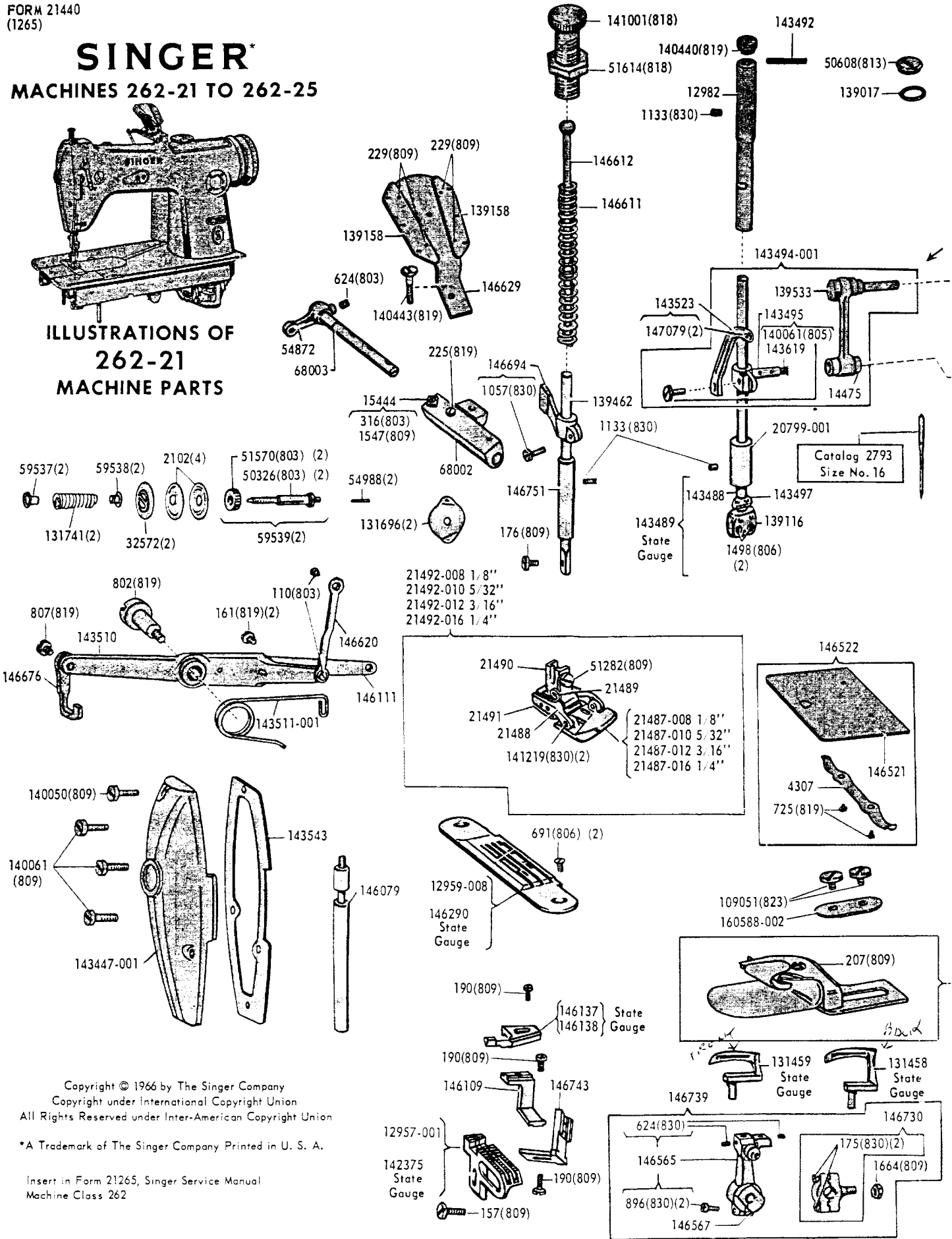
SINGER
262-21 to 262-25

SINGER[®]

MACHINES 262-21 TO 262-25



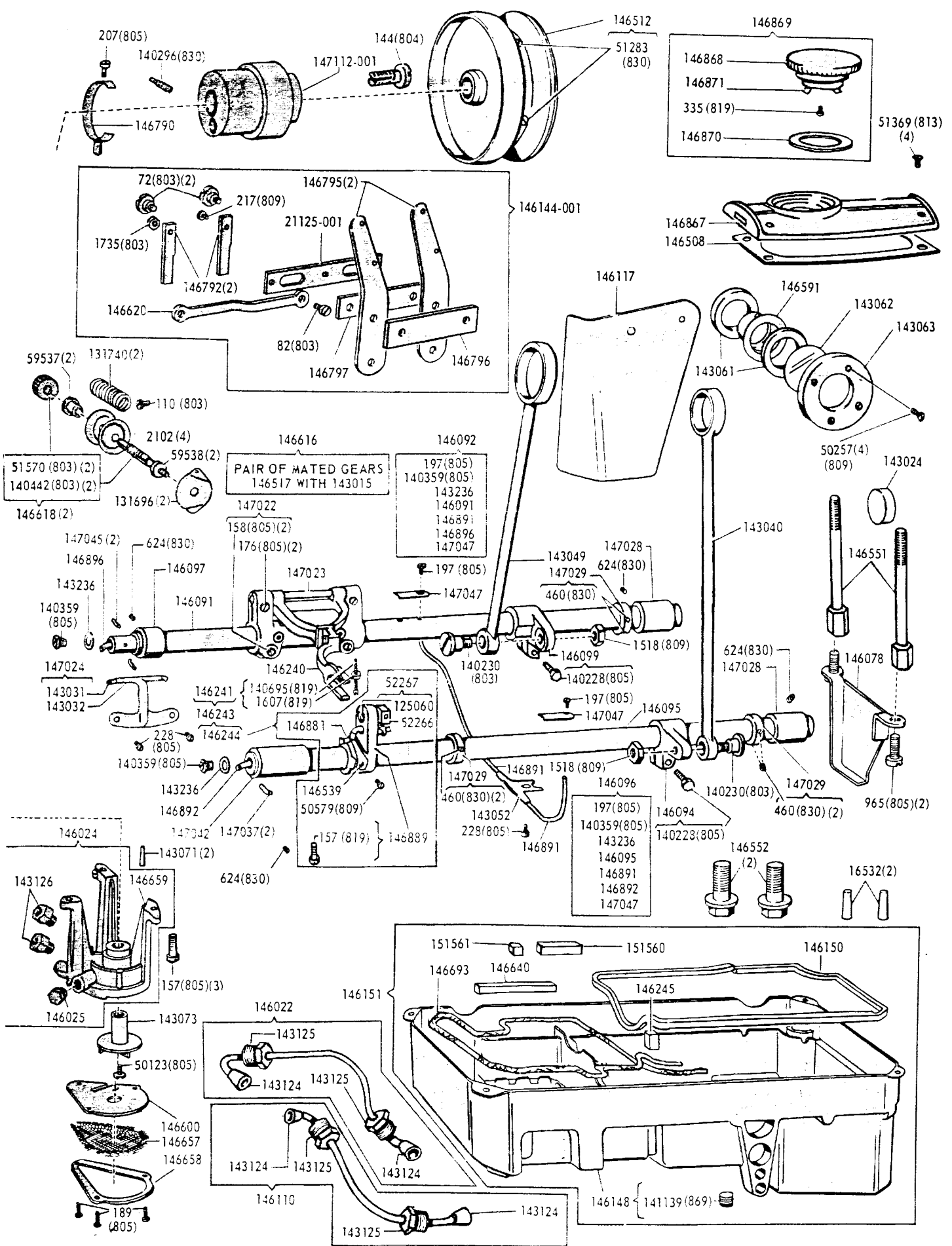
ILLUSTRATIONS OF 262-21 MACHINE PARTS



From the library of: Diamond Needle Corp

Copyright © 1966 by The Singer Company
Copyright under International Copyright Union
All Rights Reserved under Inter-American Copyright Union
*A Trademark of The Singer Company Printed in U. S. A.

Insert in Form 21265, Singer Service Manual
Machine Class 262



NUMERICAL LIST OF PARTS
262-21 MACHINE

| NUMBER | DESCRIPTION | NUMBER | DESCRIPTION | NUMBER | DESCRIPTION |
|----------|---|-----------|--|------------|---|
| 72(803) | Tension (looper) Thread Releaser Slide Hinge Screw(2) | 624(830) | Looper (front) Set Screw | 21487-010 | Presser Foot Plate for 5/32 in. gauge, for 21492-010 |
| 82(803) | Tension (looper thread) Releaser and Releaser Slide Connecting Link Hinge Screw | 624(830) | Tension (needle thread) Releasing Shaft Crank Set Screw | 21487-012 | Presser Foot Plate for 3/16 in. gauge, for 21492-012 |
| 110(803) | Tension (needle thread) Releasing Shaft Crank Connecting Link Hinge Screw(2) | 691(806) | Throat Plate Screw(2) | 21487-016 | Presser Foot Plate for 1/4 in. gauge, for 21492-016 |
| 110(803) | Tension (looper thread) Releaser Slide Connecting Link Hinge Screw | 724(809) | Thread (needle) Eyelet (side of arm) Screw | 21488 | Presser Foot Plate and Yielding Heel Connection for 21492-008, 21492-010, 21492-012 and 21492-016 |
| 144(804) | Arm Shaft (horizontal) Screw (back) | 725(819) | Bed Slide (left) Spring Screw(2) | 21489 | Presser Foot Plate and Yielding Heel Connection Spring for 21492-008, 21492-010, 21492-012 and 21492-016 |
| 157(809) | Feed Dog Screw | 802(819) | Presser Bar Lifting Lever Hinge Screw | 21490 | Presser Foot Shank for 21492-008, 21492-010, 21492-012 and 21492-016 |
| 157(819) | Feed Lifting Rock Shaft Crank (front) Clamping Screw | 807(819) | Presser Bar Guide Bracket Lifter Hinge Screw | 21491 | Presser Foot Yielding Heel for 21492-008, 21492-010, 21492-012 and 21492-016 |
| 157(805) | Oil Pump (centrifugal) Body Screw(3) | 896(830) | Looper Avoiding Eccentric Connection Clamping Screw(2) | 21492-008 | Presser Foot (triple hinged) complete for 1/8 in. gauge, Nos. 21487-008, 21488, 21489, 21490, 21491, 51282(809) and two each 26276-004 and 141219(830) for use with 12957-001 and 12959-008 |
| 158(805) | Feed Bar Carrier Clamping Screw(2) | 896(830) | Looper Ball Crank Connection Cap (lower) Screw(2) | | Note: No. 21492-008 is furnished as regular to the machine in standard gauge of 1/8 in. |
| 161(819) | Presser Bar Lifting Lever Extension Screw(2) | 896(830) | Looper Holder Clamping Screw | 21492-010 | Presser Foot (triple hinged) complete for 5/32 in. gauge, Nos. 21487-010, 21488, 21489, 21490, 21491, 51282(809) and two each 26276-004 and 141219(830) |
| 175(830) | Looper Ball Crank Pitman End Bearing (right) Body Cap Screw(2) | 906(830) | Thread (looper) Take-up Stripper Set Screw | 21492-012 | Presser Foot (triple hinged) complete for 3/16 in. gauge, Nos. 21487-012, 21488, 21489, 21490, 21491, 51282(809) and two each 26276-004 and 141219(830) for use with 142375 and 146290 |
| 175(830) | Looper Ball Crank Pitman End Bearing (left) Cap Screw(2) | 965(805) | Bed Leg (back) Screw(2) | | Note: No. 21492-012 is furnished as regular to the machine in standard gauge of 3/16 in. |
| 176(805) | Feed Bar Carrier Hinge Pin Clamping Screw(2) | 1029(809) | Thread (looper) Take-up Screw | 21492-016 | Presser Foot (triple hinged) complete for 1/4 in. gauge, Nos. 21487-016, 21488, 21489, 21490, 21491, 51282(809) and two each 26276-004 and 141219(830) for use with 142375 and 146290 |
| 176(809) | Presser Foot Screw | 1036(830) | Needle Bar Connecting Link Hinge Stud Position Set Screw | | Note: No. 21492-016 is furnished as regular to the machine in standard gauge of 1/4 in. |
| 176(809) | Slack Thread Controller Clamp Screw | 1057(830) | Presser Bar Guide Bracket Clamping Screw | 32572 | Tension (needle thread) Releasing Disc(2) |
| 176(809) | Thread (needle) Eyelet (side of arm) Position Screw | 1133(830) | Needle Bar Bushing (lower) Set Screw | 37160 | Presser Foot Plate Connection Spring |
| 189(805) | Oil Pump (centrifugal) Screen Frame Screw(3) | 1133(830) | Needle Bar Bushing (upper) Set Screw | 50027(809) | Thread (looper) Thread Tube Thread Guide Screw |
| 190(809) | Needle Guard Holder Bracket Screw | 1133(830) | Presser Bar Bushing (lower) Set Screw | 50123(805) | Oil Pump (centrifugal) Impeller Lacking Screw |
| 190(809) | Needle Guard Holder Screw | 1259(830) | Arm Shaft (horizontal) Bevel Gear Set Screw(2) | 50257(809) | Oil Flow Window Cap Screw(4) |
| 190(809) | Needle Guard Screw | 1259(830) | Arm Shaft (upright) Bevel Gear (lower) Set Screw(2) | 50326(830) | Tension (needle thread) Screw Stud(2) |
| 190(809) | Thread (looper) Take-up Stripper Staple Screw(2) | 1259(830) | Arm Shaft (upright) Bevel Gear (upper) Set Screw(2) | 50328(803) | Feed Regulating Screw |
| 190(805) | Thread (looper) Take-up Stripper Plate Support Plate Screw(4) | 1259(830) | Bed Rotary Shaft Bevel Gear Set Screw(2) | 50504(830) | Arm Shaft (upright) Bushing (upper) Set Screw |
| 193(805) | Oil Wick Holder Tube Bracket Screw | 1470(819) | Looper Avoiding Eccentric Set Screw(2) | 50554(830) | Bed Rotary Shaft Bushing (front) Set Screw |
| 197(805) | Feed Lifting Rock Shaft Oil Wick Clamping Plate Screw | 1470(819) | Bed Slide (right) Latch Guide Screw(2) | 50555(805) | Arm Shaft (horizontal) Plug Screw |
| 197(805) | Feed Rock Shaft Oil Wick Clamping Plate Screw | 1470(819) | Bed Slide (right) Spring Screw(2) | 50579(809) | Feed Bar Slide Block Oil Wick Holder Screw |
| 197(819) | Oil Removing Wick (head end) Hinge Plate and Cover Screw(4) | 1485(805) | Needle Bar Connecting Stud Slide Block Guide Screw(2) | 50608(813) | Arm Hole Plug Screw (for access to Needle Bar Bushing Oil Wick) |
| 207(805) | Arm Shaft (horizontal) Flanged Bushing (back) Oil Sump Tube Holder Screw | 1498(806) | Needle Set Screw(2) | 51061(830) | Feed Eccentric Body Set Screw(3) |
| 207(809) | Lap Seam Feiler Clamping Screw | 1518(809) | Feed Lifting Rock Shaft Connecting Rod Hinge Screw Nut | 51159(809) | Looper Throw-out Releaser Cap Screw(2) |
| 217(809) | Feed Eccentric Adjusting Washer Screw(2) | 1518(809) | Feed Rock Shaft Connecting Rod Hinge Screw Nut | 51282(809) | Presser Foot Plate and Yielding Heel Connection Spring Screw |
| 217(809) | Tension (looper thread) Releaser Screw | 1520(809) | Looper Ball Crank Pitman Ball Screw Stud (right) Nut | 51282(819) | Attachment Slide Spring Screw |
| 225(819) | Tension (needle thread) Screw Stud Hole Plug | 1547(809) | Tension (needle thread) Releasing Shaft Stop Screw Nut | 51283(830) | Machine Pulley Set Screw(2) |
| 228(805) | Feed Bar Carrier Oil Wick Holder Screw(2) | 1607(819) | Feed Dog Stop Screw Nut | 51320(830) | Looper Ball Crank Arm Clamping Screw |
| 228(805) | Feed Lifting Rock Shaft and Feed Rock Shaft Oil Wick Holder Screw | 1628(819) | Thread (looper) Thread Tube Screw Stud Nut | 51369(813) | Arm Top Cover Screw(4) |
| 229(809) | Thread (needle) Thread Guide Screw(4) | 1664(809) | Looper Ball Crank Pitman End Bearing (left) Nut | 51369(805) | Oil Lead Screw |
| 231(805) | Looper Holder Rock Shaft Bracket Oil Plug Screw(back) | 1700(819) | Looper Throw-out Releaser Guide Screw and Pitman Rod Stop Nut | 51460(805) | Looper Ball Crank Pitman Rod Oil Shield Screw |
| 237(809) | Thread (looper) Take-up Thread Guide (left) Screw | 1735(803) | Tension (looper thread) Releaser and Releaser Slide Connecting Link Hinge Screw Nut | 51570(803) | Tension (looper thread) Regulating Thumb Nut(2) |
| 237(809) | Thread (looper) Take-up Thread Guide (right) Screw | 4307 | Bed Slide (left) Spring | 51570(803) | Tension (needle thread) Regulating Thumb Nut(2) |
| 237(809) | Thread (looper) Take-up Stripper Plate Screw | 7071 | Feed Eccentric Clamping Washer(2) | 51614(818) | Pressure Regulating Thumb Nut |
| 240(809) | Looper Throw-out Spring Screw | 7071 | Looper Ball Crank Pitman Rod Oil Shield Screw Washer | 51715(830) | Looper Ball Crank Connection Cap (upper) Screw Stud Nut(2) |
| 316(803) | Tension (needle thread) Releasing Shaft Stop Screw | 7071 | Thread (needle) Eyelet (side of arm) Position Screw Washer | 51769(803) | Looper Ball Crank Pitman Rod Nut |
| 335(819) | Arm Top Cover and Stitch Regulator Cap Latch Screw | 2102 | Tension (looper thread) Disc(4) | 52266 | Feed Bar Slide Block |
| 440(830) | Feed Lifting Eccentric Set Screw(3) | 2102 | Tension (needle thread) Disc(4) | 52267 | Feed Bar Slide Block 52266 with 125060 |
| 447(830) | Looper Throw-out Releaser Guide Screw and Pitman Rod Stop | 12957-001 | Feed Dog (18 teeth to the inch) for either 3/32 in. or 1/8 in. gauges, for chaining-off, for 10 to 18 stitches per inch for use with 12959-008 and 21492-008 | 54242 | Slack Thread Controller Clamp |
| 448(830) | Bed Rotary Shaft Bushing (back) Set Screw | | Note: No. 12957-001 is furnished as regular to the machine when called for in standard gauge of 1/8 in. | 54872 | Tension (needle thread) Releasing Shaft Crank with 624(830) |
| 448(830) | Looper Ball Crank Hinge Pin Set Screw(2) | 12959-008 | Throat Plate for 1/8 in. gauge, for chaining-off, for 10 to 18 stitches per inch for use with 12957-001 and 21492-008 | 54988 | Tension (needle thread) Releasing Pin(2) |
| 448(830) | Looper Holder Rock Shaft Bushing (back) Set Screw | | Note: No. 12959-008 is furnished as regular to the machine when called for in standard gauge of 1/8 in. | | |
| 448(830) | Looper Holder Rock Shaft Bushing (front) Set Screw | 12982 | Needle Bar Bushing (upper) | | |
| 454(830) | Bed Rotary Shaft Collar Set Screw | 13994 | Needle Bar Bushing (lower and upper) Oil Wick Clip(2) | | |
| 460(830) | Feed Lifting Rock Shaft Collar Set Screw(4) | 14475 | Needle Bar Connecting Link Screw Cap Disc (fiber) | | |
| 460(830) | Feed Rock Shaft Collar Set Screw(2) | 15444 | Tension (needle thread) Releasing Shaft Stop Screw 316(803) with 1547(809) | | |
| 465(830) | Thread (looper) Take-up Screw Set Screw | 16532 | Arm Dowel Pin(2) | | |
| 624(830) | Arm Shaft (horizontal) Thrust Collar Set Screw(2) | 20799-001 | Needle Bar Bushing (lower) | | |
| 624(830) | Feed Lifting Rock Shaft Bushing (back) Set Screw | 21125-001 | Tension (looper thread) Releaser Slide | | |
| 624(830) | Feed Lifting Rock Shaft Bushing (front) Set Screw | 21400 | Looper Throw-out Spring | | |
| 624(830) | Feed Rock Shaft Bushing (back) Set Screw | 21487-008 | Presser Foot Plate for 1/8 in. gauge, for 21492-008 | | |
| 624(830) | Feed Rock Shaft Bushing (front) Set Screw | | | | |
| 624(830) | Looper (back) Set Screw | | | | |

| NUMBER | DESCRIPTION | NUMBER | DESCRIPTION | NUMBER | DESCRIPTION |
|-------------|--|-------------|--|------------|---|
| 59456 | Needle Bar Connecting Stud Slide Block Guide Screw Washer(2) | 140359(805) | Feed Rock Shaft Oil Plug Screw | 143491 | Needle Bar Bushing (lower and upper) Oil Wick complete, Nos. 143490, 146703 and two 13994 |
| 59537 | Tension (needle thread) Spring Bushing (large)(2) | 140439(805) | Looper Holder Rock Shaft Oil Plug Screw | 143492 | Needle Bar Bushing (lower and upper) Oil Wick Guide Tube (in Arm) |
| 59537 | Tension (looper thread) Spring Bushing (large)(2) | 140440(819) | Needle Bar Bushing (upper) Oil Plug Screw | 143494-001 | Needle Bar Connecting Link with 14475, 139533 and 143495 |
| 59538 | Tension (looper thread) Spring Bushing (small)(2) | 140442(803) | Tension (looper thread) Screw Stud(2) | 143495 | Needle Bar Connecting Stud with 140061(805) and 143619 |
| 59538 | Tension (needle thread) Spring Bushing (small)(2) | 140443(809) | Tension (needle thread) Bracket Screw | 143496 | Needle Bar Connecting Stud Slide Block Guide |
| 59539 | Tension (needle thread) Screw Stud 50326(803) with 51570(803)(2) | 140542(830) | Needle Bar Crank Position Screw | 143497 | Needle Clamp Thread Guide |
| 64342 | Bed Rotary Shaft Collar with 454(830) | 140552(830) | Needle Bar Connecting Link Hinge Stud Clamping Screw | 143510 | Presser Bar Lifting Lever |
| 68002 | Tension (needle thread) Bracket | 140553(805) | Oil Removing Wick (head end) Holder Body Hinge Screw | 143511-001 | Presser Bar Lifting Lever Spring |
| 68003 | Tension (needle thread) Releasing Shaft Lap Seam Feller Clamping Plate Screw(2) | 140610(819) | Arm Hole Plug Screw (for access to Needle Bar Connecting Link Hinge Stud Clamping Screw and Needle Bar Connecting Link Hinge Stud Position Set Screw) | 143523 | Thread (needle) Take-up with two 147079 |
| 109051(823) | Lap Seam Feller Clamping Plate Screw(2) | 140640(805) | Looper Holder Rock Shaft Bracket Oil Plug Screw (front) | 143543 | Face Plate Gasket |
| 125060 | Feed Bar Slide Block Hinge Stud | 140695(819) | Feed Dog Stop Screw | 143570 | Thread Guide (front of Arm) |
| 126150 | Looper Holder Rock Shaft Bracket Screw Washer(2) | 140734(805) | Looper Holder Rock Shaft Bracket Screw(2) | 143619 | Needle Bar Connecting Stud Oil Wick (felt) |
| 128551 | Looper Ball Crank Pitman Ball Screw Stud (right) Nut Locking Plate | 141001(818) | Pressure Regulating Thumb Screw | 146005 | Bed Rotary Shaft |
| 131458 | Looper (back) closed eye, for 3/32 in. to 1/2 in. gauges, in steps of 1/32 in., for lap seam felling Note: No. 131458 is furnished as regular to the machine when called for in standard gauges of 1/8 in., 3/16 in., 1/4 in. and 1/2 in. Note: When ordering No. 131458, state gauge required. | 141139(869) | Machine Base and Oil Reservoir Drain Plug | 146022 | Oil Pipe with two each 143124 and 143125, for oiling Looper Rock shaft Hinge Pin |
| 131459 | Looper (front) closed eye, for 3/32 in. to 1/2 in. gauges, in steps of 1/32 in., for lap seam felling Note: No. 131459 is furnished as regular to the machine when called for in standard gauges of 1/8 in., 3/16 in., 1/4 in. and 1/2 in. Note: When ordering No. 131459, state gauge required. | 141219(830) | Presser Foot Plate Hinge Screw for 21492-008, 21492-010, 21492-012 and 21492-016(2) | 146024 | Oil Pump (centrifugal) Body 146659 with 146025 and two 143126 |
| 131696 | Tension (looper thread) Thread Guide(2) | 142375 | Feed Dog, with row of teeth between needles, 22 teeth (18 teeth to the inch), for 5/32 in. to 3/8 in. gauges, for 10 to 18 stitches per inch for chaining-off. For use with 21492-010 and 146290 or 21492-012 and 146290 or 21492-016 and 146290. Note: No. 142375 is furnished as regular to the machine when called for in standard gauges of 5/32 in., 3/16 in. and 1/4 in. When ordering 142375 state gauge required. | 146025 | Oil Pump (centrifugal) Body Plug |
| 131696 | Tension (needle thread) Thread Guard(2) | 142385 | Attachment Slide | 146044 | Bed Rotary Shaft 146005 with 132790, 146556, 164232 and two 131928 |
| 131740 | Tension (looper thread) Spring(2) | 142386 | Attachment Slide complete, Nos. 51282(819), 142385 and 146874 | 146077 | Arm Shaft (upright) |
| 131741 | Tension (needle thread) Spring(2) | 143015 | Arm Shaft (upright) Bevel Gear (lower) left hand spiral with two 1259(830) | 146078 | Bed Leg (back) |
| 131888-002 | Slack Thread Controller | 143015 | Arm Shaft (upright) Bevel Gear (upper) left hand spiral with two 1259(830) | 146079 | Bed Leg (front, long) |
| 131927 | Looper Ball Crank Connection Cap (upper) Screw Stud(2) | 143024 | Bed Hole Plug | 146091 | Feed Rock Shaft |
| 131928 | Looper Ball Crank Connection Cap (upper) Screw Stud Nut Lock Washer(2) | 143031 | Feed Bar Carrier Oil Wick (felt) for oiling Feed Bar Connecting Link | 146092 | Feed Rock Shaft Nos. 197(805), 140359(805), 143236, 146091, 146891, 146896, 147047 and suitable length of No. 1229 White Lighter Wicking |
| 132790 | Looper Ball Crank Connection Bail Sleeve (two pieces) | 143032 | Feed Bar Carrier Oil Wick Holder | 146094 | Feed Lifting Rock Shaft Crank (back) with 140228(805) |
| 139017 | Arm Hole Plug Screw Washer (for use with 50608) | 143040 | Feed Lifting Rock Shaft Connecting Rod | 146095 | Feed Lifting Rock Shaft |
| 139111 | Needle Bar Connecting Stud Slide Block | 143049 | Feed Rock Shaft Connecting Rod | 146096 | Feed Lifting Rock Shaft Nos. 197(805), 140359(805), 143236, 146095, 146891, 146892, 147047 and suitable length of No. 1229 White Lighter Wicking |
| 139116 | Needle Clamp with two 1498(806), for 3/32 in. to 3/8 in. gauges Note: No. 139116 is furnished as regular to the machine when called for in standard gauges of 1/8 in., 3/16 in. and 1/4 in. Note: When ordering No. 139116, state gauge required. | 143052 | Feed Lifting Rock Shaft and Feed Rock Shaft Oil Wick Holder | 146097 | Feed Rock Shaft Bushing (front) |
| 139148 | Thread (looper) Take-up Stripper Staple | 143061 | Oil Flow Body Gasket(2) | 146099 | Feed Rock Shaft Crank with 140228(805) |
| 139158 | Thread (needle) Thread Guide(2) | 143062 | Oil Flow Window | 146105 | Looper Holder Hinge Pin |
| 139462 | Presser Bar | 143063 | Oil Flow Window Cap | 146106 | Looper Holder Hinge Pin Spacer |
| 139533 | Needle Bar Connecting Link Screw Cap | 143065 | Oil Pipe Clamping Sleeve | 146109 | Needle Guard Holder |
| 140050(809) | Face Plate Screw (upper) | 143066 | Oil Pipe Clamping Sleeve Nut | 146110 | Oil Pipe with two each 143124 and 143125, for oiling Thread (under) Take-up Shaft Front Bearing |
| 140061(809) | Face Plate Screw (lower)(3) | 143071 | Oil Pump (centrifugal) Body Position Pin(2) | 146111 | Presser Bar Lifting Lever Extension |
| 140061(805) | Needle Bar Connecting Stud and Thread Take-up Lever Clamping Screw | 143073 | Oil Pump (centrifugal) Impeller | 146117 | Tension (looper thread) Thread Guard |
| 140180(809) | Thread Guide (front of Arm) Screw | 143124 | Oil Pipe Clamping Sleeve(4) | 146121 | Arm Shaft (horizontal) with 1036(830), and 140542(830) |
| 140228(805) | Feed Lifting Rock Shaft Crank (back) Clamping Screw | 143125 | Oil Pipe Clamping Sleeve Nut(4) | 146122 | Arm Shaft (horizontal) 146121 with 140359(805), 143236 and 143494-001 |
| 140228(805) | Feed Rock Shaft Crank Clamping Screw | 143126 | Looper Holder Rock Shaft Bracket Oil Pipe Clamping Sleeve Adaptor | 146127 | Bed Slide (right) Body for 146131 |
| 140230(803) | Feed Lifting Rock Shaft Connecting Rod Hinge Screw | 143126 | Oil Pipe Clamping Sleeve Adaptor (fastened to Looper Ball Crank Hinge Pin) | 146128 | Bed Slide (right) Body for 146132 |
| 140230(803) | Feed Rock Shaft Connecting Rod Hinge Screw | 143126 | Oil Pipe Clamping Sleeve Adaptor for 146024(2) | 146131 | Bed Slide (right) Latch-type complete for use with Throat Plates with .054 off-set, Nos. 146127, 146688, 146689, 146690, 146691 and four 1470(819) |
| 140239(830) | Oil Wick Position Bracket Screw | 143176 | Number Plate Rivet(2) | 146132 | Bed Slide (right) Latch-type complete for use with Throat Plates with .100 off-set Nos. 146128, 146688, 146689, 146690, 146691 and four 1470(819) |
| 140239(809) | Slack Thread Controller Position Screw | 143176 | Trade Mark Rivet(2) | 146137 | Needle Guard for 3/32 in. to 5/32 in. gauges Note: No. 146137 is furnished as regular to the machine when called for in standard gauge of 1/8 in. Note: When ordering No. 146137, state gauge required. |
| 140296(830) | Arm Shaft (horizontal) Bushing (center) Set Screw | 143236 | Arm Shaft (horizontal) Screw Plug (front) Washer (fiber) | 146138 | Needle Guard for 3/16 in. to 9/32 in. gauges Note: No. 146138 is furnished as regular to the machine when called for in standard gauges of 3/16 in. and 1/4 in. Note: When ordering No. 146138, state gauge required. |
| 140296(830) | Arm Shaft (horizontal) Flanged Bushing (back) Set Screw | 143236 | Feed Lifting Rock Shaft Oil Plug Screw Washer (fiber) | 146144-001 | Tension (looper thread) Releaser, Nos. 82(803), 217(809), 1735(803), 21125-001, 146620, 146796, 146797 and two each 72(803), 146792 and 146795 |
| 140298(830) | Arm Shaft (upright) Bushing (lower) Set Screw | 143370 | Feed Rock Shaft Oil Plug Screw Washer (fiber) | 146148 | Machine Base and Oil Reservoir with 141139(869) |
| 140321(830) | Bed Rotary Shaft Oil Plug Screw | 143447-001 | Oil Lead | 146150 | Machine Base and Oil Reservoir Gasket (left) |
| 140331(830) | Arm Shaft (horizontal) Flanged Bushing (front) Set Screw | 143488 | Face Plate | | |
| 140333(830) | Arm Shaft (horizontal) Bevel Gear Position Screw | 143489 | Needle Bar (hollow) | | |
| 140359(805) | Arm Shaft (horizontal) Screw Plug (front) | | Needle Bar complete for 3/32 in. to 3/8 in. gauges, Nos. 139116, 143488 and 143497 Note: No. 143489 is furnished as regular to the machine when called for in standard gauges of 1/8 in., 3/16 in. and 1/4 in. Note: When ordering No. 143489, state gauge required. | | |
| 140359(805) | Feed Lifting Rock Shaft Oil Plug Screw | 143490 | Needle Bar Bushing (lower and upper) Oil Wick | | |

| NUMBER | DESCRIPTION | NUMBER | DESCRIPTION | NUMBER | DESCRIPTION |
|--------|--|--------|---|------------|---|
| 146151 | Machine Base and Oil Reservoir 146148 with 146150, 146245, 146640, 146693, 151560 and 151561 | 146626 | Thread (looper) Take-up Stripper Plate Support Plate(2) Note: One No. 146626 is screwed on to Machine Bed | 146970 | Looper Throw-out Releaser Guide |
| 146167 | Presser Foot Plate Connection | 146627 | Thread (looper) Take-up Thread Guide (left) | 146971 | Looper Throw-out Sleeve |
| 146225 | Looper Holder Rock Shaft with 140439(805) | 146628 | Thread (looper) Take-up Thread Guide (right) | 147005-001 | Arm Shaft (horizontal) Flanged Bushing (front) |
| 146226 | Looper Holder Rock Shaft Bushing Back | 146629 | Thread (needle) Thread Guide Bracket | 147022 | Feed Bar Carrier with two each 158(805) and 176(805) |
| 146227 | Looper Holder Rock Shaft Bushing (front) | 146632 | Thread (looper) Thread Tube Thread Guide | 147023 | Feed Bar Carrier Hinge Pin |
| 146234 | Looper Avoiding Eccentric Connection (forked) with two 896(830) | 146633 | Thread (needle) Eyelet (side of arm) | 147024 | Feed Bar Carrier Oil Wick Holder 143032 with 143031 |
| 146238 | Thread (looper) Thread Tube | 146640 | Machine Pad (felt) | 147028 | Feed Lifting Rock Shaft Bushing (back) |
| 146240 | Feed Bar | 146657 | Oil Pump (centrifugal) Screen | 147028 | Feed Rock Shaft Bushing (back) |
| 146241 | Feed Bar 146240 with 1607(819) and 140695(819) | 146658 | Oil Pump (centrifugal) Screen Frame | 147029 | Feed Lifting Rock Shaft Collar with two 460(830)(2) |
| 146243 | Feed Bar Assembly 146241 with 146244 | 146659 | Oil Pump (centrifugal) Body | 147029 | Feed Rock Shaft Collar with two 460(830) |
| 146244 | Feed Lifting Rock Shaft Crank (front) 146889 with 50579(809), 52267, 146539 and 146881 | 146671 | Thread (looper) Thread Tube Screw Stud Nut Washer | 147037 | Feed Lifting Rock Shaft Oil Wick (short)(2) |
| 146245 | Machine Base and Oil Reservoir Oil Return Wick Position Pad (felt) | 146676 | Presser Bar Guide Bracket Lifter | 147042 | Feed Lifting Rock Shaft Bushing (front) |
| 146290 | Throat Plate for 5/32 in. to 3/8 in. gauges, for 10 to 18 stitches per inch, for chaining-off for use with, (for 3/16 in.) 21492-012 and 142375 (for 1/4 in.) 21492-016 and 142375 Note: No. 146290 is furnished as regular to the machine when called for in standard gauges of 3/16 in. and 1/4 in. Note: When ordering No. 146290, state gauge required. | 146688 | Bed Slide (right) Latch | 147045 | Feed Rock Shaft Oil Wick (short)(2) |
| 146505 | Arm Shaft (upright) Bushing (lower) | 146689 | Bed Slide (right) Latch Guide | 147047 | Feed Lifting Rock Shaft Oil Wick Clamping Plate |
| 146508 | Arm Top Cover Gasket | 146690 | Bed Slide (right) Latch Spring | 147055 | Oil Removing Wick (head end) Hinge Plate and Cover Gasket |
| 146512 | Machine Pulley (disc power) "V" belt groove (outside diameter of belt groove 2.9 in.) with two 51283(830) | 146691 | Bed Slide (right) Spring | 147070 | Arm Hole Plug Screw Washer (for use with 140610) |
| 146517 | Bed Rotary Shaft Bevel Gear, right hand spiral with two 1259(830) | 146693 | Machine Base and Oil Reservoir Oil Return Wick | 147079 | Thread (needle) Take-up Thread Eyelet Bushing(2) |
| 146518 | Bed Rotary Shaft Bushing (back) | 146694 | Presser Bar Guide Bracket with 1057(830) | 147107 | Oil Removing Wick (head end) |
| 146519 | Bed Rotary Shaft Bushing (front) | 146698 | Oil Removing Wick (head end) Holder Body Spring | 147108 | Oil Removing Wick (head end) Holder Body 146745 with 146698 and 147107 |
| 146521 | Bed Slide (left) | 146703 | Needle Bar Bushing (lower and upper) Oil Wick Clamp and Retainer | 147109 | Looper Holder Rock Shaft Bracket Oil Plug Screw (front) Washer (fiber) |
| 146522 | Bed Slide (left) complete, Nos. 4307, 146521 and two 725(819) | 146730 | Looper Ball Crank Pitman End Bearing (left) with two 175(830) | 147111-001 | Arm Shaft (upright) Bushing (upper) |
| 146539 | Feed Bar Slide Block Oil Wick Holder | 146739 | Looper Holder 146565 with 1664(809), 146567 and two 175(830) | 147112-001 | Arm Shaft (horizontal) Flanged Bushing (back) |
| 146550 | Looper Avoiding Eccentric with two 1259(830) | 146743 | Needle Guard Holder Bracket | 147468 | Arm Shaft (horizontal) Thrust Collar with two 624(830) |
| 146551 | Arm Screw (back)(2) | 146745 | Oil Removing Wick (head end) Holder Body | 149205 | Oil Removing Wick (head end) Hinge Plate and Cover |
| 146552 | Arm Screw (front)(2) | 146751 | Presser Bar Bushing (lower) | 149206 | Oil Removing Wick (head end) Holder Body complete, Nos. 140553(805), 146698, 146745, 147055, 147107 and 149205 |
| 146554 | Looper Avoiding Eccentric Slide Block | 146790 | Arm Shaft (horizontal) Flanged Bushing (back) Oil Sump Tube | 151560 | Machine Pad (felt, left back) |
| 146556 | Looper Ball Crank | 146792 | Tension (looper thread) Releaser(2) | 151561 | Machine Pad (felt, left front) |
| 146557 | Looper Ball Crank Connection with two 131928 | 146795 | Tension (looper thread) Uncurler(2) | 152503 | Arm Shaft (horizontal) Bushing (center) |
| 146558 | Looper Ball Crank Connection with 132790, 146556, 164232 and two 131928 | 146796 | Tension (looper thread) Uncurler Plate (back) | 152578 | Feed Lifting Eccentric with three 440(830) |
| 146559 | Looper Ball Crank Hinge Pin | 146797 | Tension (looper thread) Uncurler Plate (front) | 152579 | Combination of Feed and Stitch Regulator Parts, Nos. 143015, 143040, 143049, 146864, 146883 and 152578 |
| 146565 | Looper Holder with 896(830) and two 624(830) | 146864 | Arm Shaft (horizontal) Bevel Gear, right hand spiral with 140333(830) and two 1259(830) | 160588-002 | Lap Seam Feller Clamping Plate |
| 146567 | Looper Holder Bushing (eccentric) | 146867 | Arm Top Cover | 161661-002 | Lap Seam Feller on Shank (adjustable) with 207(809), for 3/16M Note: No. 161661-002 (3/16M) is furnished as regular to machine when called for in standard gauge of 3/16 in. |
| 146591 | Oil Flow Body | 146868 | Arm Top Cover and Stitch Regulator Cap | 161661-004 | Lap Seam Feller on Shank (adjustable) with 207(809) for 1/4M Note: No. 161661-004 (1/4M) is furnished as regular to machine when called for in standard gauge of 1/4 in. |
| 146593 | Oil Pipe | 146869 | Arm Top Cover and Stitch Regulator Cam complete, Nos. 335(819), 146868, 146870 and 146871 | 161661-016 | Lap Seam Feller on Shank (adjustable) with 207(809), for 1/8M Note: No. 161661-016 (1/8M) is furnished as regular to machine when called for in standard gauge of 1/8 in. |
| 146597 | Oil Pipe complete (from Oil Pump to Arm Shaft (horizontal) Center Bearing) 146593 with 143065 and 143066 | 146870 | Arm Top Cover and Stitch Regulator Cap Gasket | 161661-022 | Lap Seam Feller on Shank (adjustable) with 207(809), for 1/2M Note: No. 161661-022 (1/2M) is furnished as regular to machine when called for in standard gauge of 1/2 in. |
| 146600 | Oil Pump (centrifugal) Cover | 146871 | Arm Top Cover and Stitch Regulator Cap Latch | 164232 | Looper Ball Crank Connection Ball Sleeve Guide |
| 146603 | Thread (looper) Take-up Stripper Plate 146625 with 237(809), 139148, 146623, 146624, 146626, 146628 and two 190(809) | 146874 | Attachment Slide Spring | ----- | Needle Car. 2793 (Size No. 16) |
| 146604 | Oil Wick for oiling Looper Ball Crank Pitman End Bearing (left) | 146881 | Feed Bar Slide Block Oil Wick | | |
| 146605 | Oil Wick Holder | 146883 | Feed Eccentric (adjustable) with 50328(803), two each 217(809), 7071 and three 51061(830) | | |
| 146606 | Oil Wick Position Bracket with 140239(830) | 146889 | Feed Lifting Rock Shaft Crank (front) with 157(819) | | |
| 146611 | Presser Bar Spring | 146891 | Feed Lifting Rock Shaft Oil Wick | | |
| 146612 | Presser Bar Spring Guide Pin | 146892 | Feed Rock Shaft Oil Wick | | |
| 146616 | Pair of Mated Gears for Lower Shaft, Nos. 143015 and 146517 | 146896 | Feed Lifting Rock Shaft Oil Wick (long) | | |
| 146618 | Tension (looper thread) Screw Stud 140442(803) with 51570(803)(2) | 146897 | Feed Rock Shaft Oil Wick (long) | | |
| 146620 | Tension (looper thread) Releaser Slide Connection Link | 146911 | Looper Ball Crank Arm with 51320(830) | | |
| 146620 | Tension (needle thread) Releasing Shaft Crank Connecting Link | 146919 | Pair of Mated Gears for Upper Shaft, Nos. 143015 and 146864 | | |
| 146621 | Thread (looper) Take-up with 465(830) | 146923 | Looper Ball Crank Pitman Head (right) with 146948 and two 175(830) | | |
| 146622 | Thread (looper) Take-up Screw Washer (fiber) | 146947 | Looper Ball Crank Pitman Rod Oil Shield | | |
| 146623 | Thread (looper) Take-up Stripper | 146948 | Looper Ball Crank Pitman Ball Screw Stud | | |
| 146624 | Thread (looper) Take-up Stripper Holder with 906(830) | 146955 | Looper Ball Crank Pitman Rod | | |
| 146625 | Thread (looper) Take-up Stripper Plate | 146966 | Looper Ball Crank Pitman Rod 146965 with 51769(803) | | |
| | | 146967 | Looper Ball Crank Pitman Rod with Throw-out Device complete, Nos. 240(809), 447(830), 1700(819), 21400, 146966, 146968, 146969, 146970, 146971 and two 51159(809) | | |
| | | 146968 | Looper Throw-out Releaser | | |
| | | 146969 | Looper Throw-out Releaser Cap | | |

SUPPLEMENTARY PARTS LIST FOR 262-25 MACHINE

Same as 262-21 Machine, except for the following:

| PARTS ADDED | DESCRIPTION | PARTS REMOVED |
|-------------|--|--|
| 22849 | Arm Shaft (horizontal) with 1036(830) and 140542(830) | 146121 |
| 22850 | Arm Shaft (horizontal) 22849 with 140359(805), 143236 and 143494-001 | 146122 |
| 152569 | Bed Rotary Shaft | 146005 |
| 152576 | Bed Rotary Shaft 152569 with 132790, 146556, 164232 and two 131928 | 146044 |
| 146246 | Combination of Feed and Stitch Regulator Parts, Nos. 143015, 143040, 143049, 146864, 146883 and 146884 | 152579 |
| 146884 | Feed Lifting Eccentric with three 440(830) | 152578 |
| 21394-002 | Feed Dog, 22 teeth (16 teeth to the inch) for 5/32" and 3/16" gauges, for use with 21395-010 or 21395-012 and 131708 Note: 21394-002 is furnished as regular to the machine when called for in standard gauge of 3/16". When ordering, gauge need not be specified. | 142375 |
| 131529 | Feed Dog, 14 teeth (10 teeth to the inch) for 1/4" to 3/8" gauges, for use with 21096-016 or 21096-024 and 131708 Note: 131529 is furnished as regular to the machine when called for in standard gauges of 1/4" and 3/8". When ordering state gauge | 12957-001 |
| 16387-001 | Lap Seam Feller on Shank for 1/4H with 1443(809) and two 662(809) Note: 16387-001 (1/4H) is furnished as regular to the machine when called for in standard gauge of 1/4" | 161661 |
| 16387-002 | Lap Seam Feller on Shank for 3/16H, with 1443(809) and two 662(809) Note: 16387-002 (3/16H) is furnished as regular to the machine when called for in standard gauge of 3/16" | 161661 |
| 16387-003 | Lap Seam Feller on Shank for 3/8H, with 1443(809) and two 662(809) Note: 16387-003 (3/8H) is furnished as regular to the machine when called for in standard gauge of 3/8" | 161661 |
| 131425 | Looper (back) for 3/32" to 1/2" gauges Note: 131425 is furnished as regular to the machine when called for in standard gauges of 3/16", 1/4" and 3/8". When ordering state gauge | 131458 |
| 131426 | Looper (back) for 3/32" to 1/2" gauges Note: 131426 is furnished as regular to the machine when called for in standard gauges of 3/16", 1/4" and 3/8" | 131459 |
| 21121 | Needle Guard (movable) for 3/32" to 3/8" gauges Note: 21121 is furnished as regular to the machine when called for in standard gauges of 3/16", 1/4" and 3/8" | 146137 |
| 21122 | Needle Guard (movable) for 13/32" to 1/2" gauges | 146138 |
| 68123 | Needle Guard (movable) Clamp | - |
| - | Needle Guard Holder | 146109 |
| - | Needle Guard Holder Bracket | 146743 |
| - | Needle Guard Holder Bracket Screw | 190(809) |
| - | Needle Guard Holder Screw | 190(809) |
| - | Needle Guard Screw | 190(809) |
| 131708 | Presser Foot Complete for 3/32" to 1/2" gauges, Nos. 131534, 131704, 131705, 131706, 131707 and two each 665(809), 26276 and 128390 Note: 131708 is furnished as regular to the machine when called for in standard gauges of 3/16", 1/4" and 3/8". | 21492-008 21492-010 21492-012 21492-016 |
| 131534 | Presser Foot Yielding Heel Connection Spring | - |
| 131704 | Presser Foot Plate | - |
| 131705 | Presser Foot Shank | - |
| 131706 | Presser Foot Yielding Heel | - |
| 131707 | Presser Foot Yielding Heel Connection | - |
| 665(809) | Presser Foot Plate Hinge Stud Position Screw | - |
| 26276 | Presser Foot Hinge Pin(2) | - |
| 128390 | Presser Foot Plate Hinge Stud(2) | - |
| 152574 | Thread (looper) Take-up (left) | - |
| 465(830) | Thread (looper) Take-up (left) Set Screw | - |
| - | Thread (looper) Take-up Screw | 1029(809) |
| - | Thread (looper) Take-up Screw Washer | 146622 |
| 152571 | Thread (looper) Take-up Stripper Plate | 146625 |
| 152575 | Thread (looper) Take-up Stripper Plate 152571 with 237(819), 139148, 146623, 146624, 146626, 146628 and two 190(809) | 146603 |
| 146235 | Thread (looper) Take-up Stripper Staple (left) | - |
| 190(809) | Thread (looper) Take-up Stripper Staple (left) Screw(2) | - |
| - | Thread (looper) Take-up Thread Guide (left) | 146627 |
| - | Thread (looper) Take-up Thread Guide (left) Screw | 237(809) |
| 190(809) | Thread (looper) Take-up Thread Guide (right) Screw | 237(809) |
| 21395-012 | Throat Plate for 3/16" gauge for use with 21394-002 and 131708 Note: 21395-012 is furnished as regular to the machine when called for in standard gauge of 3/16" | 12959-008 |
| 21096-016 | Throat Plate for 1/4" gauge, for use with 131529 and 131708 Note: 21096-016 is furnished as regular to the machine when called for in standard gauge of 1/4" | 146290 |
| 21096-024 | Throat Plate for 3/8" gauge, for use with 131529 and 131708 Note: 21096-024 is furnished as regular to the machine when called for in standard gauge of 3/8" | 146290 |

SUPPLEMENTARY PARTS LIST FOR 262-22 MACHINE

Same as 262-21 Machine, except for the following:

| PARTS ADDED | DESCRIPTION | PARTS REMOVED |
|-------------|---|---------------|
| 146075 | Arm Shaft (horizontal) with 1036(830) and 140542(830) | 146121 |
| 146076 | | 146122 |
| 146081 | Bed Rotary Shaft | 146005 |
| 146082 | Bed Rotary Shaft 146081 with 132790, 146556, 164232 and two 131928 | 146044 |
| 146242 | Combination of Feed and Stitch Regulator Parts Nos. 143015, 143040, 143049, 146864, 146883 and 146914 | 152579 |
| 146914 | Feed Lifting Eccentric with three 440(830) | 152578 |

SUPPLEMENTARY PARTS LIST FOR 262-23 MACHINE

Same as 262-21 Machine, except for the following:

| PARTS ADDED | DESCRIPTION | PARTS REMOVED |
|-------------|--|---------------|
| 146152 | Arm Shaft (horizontal) with 1036(830) and 140542(830) | 146121 |
| 146153 | | 146122 |
| 146154 | Bed Rotary Shaft | 146005 |
| 146155 | Bed Rotary Shaft 146154 with 132790, 146556, 164232 and two 131928 | 146044 |
| 146242 | Combination of Feed and Stitch Regulator Parts, Nos. 143015, 143040, 143049, 146864, 146883 and 146914 | 152579 |
| 22731 | Feed Dog, 14 teeth, 10 teeth to the inch | 142375 |
| 146914 | Feed Lifting Eccentric with three 440(830) | 152578 |
| 131552 | Looper (back) | 131458 |
| 131553 | Looper (front) | 131459 |
| 146173 | Needle Bar Complete, Nos. 131555 and 143488 | 143489 |
| 131555 | Needle Clamp | 139116 |
| 146174 | Needle Guard | 146137 |
| 50014(806) | Needle Set Screw(2) | 1498(806) |
| 143512-001 | Presser Bar Spring | 146611 |
| 131561 | Presser Foot Complete, Nos. 26276, 131560 and 146780 | 21492-008 |
| | | 21492-010 |
| | | 21492-012 |
| | | 21492-016 |
| 146160 | Thread (looper) Take-up (small) with two 465(830) | - |
| 465(830) | Thread (looper) Take-up (small) Set Screw(2) | - |
| 146161 | Thread (looper) Take-up Stripper Plate | 146625 |
| 146237 | Thread (looper) Take-up Stripper Plate 146161 with 237(809), 139148, 146623, 146624, 146626, 146628 and two 190(809) | 146603 |
| 146235 | Thread (looper) Take-up Stripper Staple (left) | - |
| 131558 | Throat Plate | 12959-008 |
| | | 146290 |

SUPPLEMENTARY PARTS LIST FOR 262-24 MACHINE

Same as 262-23 Machine, except for the following:

| PARTS ADDED | DESCRIPTION | PARTS REMOVED |
|-------------|---|---------------|
| 131563 | Looper (back) | 131552 |
| 131564 | Looper (front) | 131553 |
| 146179 | Needle Bar Complete, Nos. 131064 and 143488 | 146173 |
| 131064 | Needle Clamp with two 50014(831) | 131555 |
| 131570 | Presser Foot with Knife Complete, Nos. 239(809), 68140, 131349, 131568 and 131569 | 131561 |
| 239(809) | Presser Foot Knife Screw | - |
| 68140 | Presser foot Hinge Pin | 26276 |
| 131349 | Presser Foot Knife | - |
| 131568 | Presser Foot Plate | 131560 |
| 131569 | Presser Foot Shank with 665(809) | 146780 |
| 665(809) | Presser Foot Hinge Pin Set Screw | - |
| 131567 | Throat Plate | 131558 |